

TAO
GROUP

SPECIAL EVENTS



MARQUEE
NIGHTCLUB
SINGAPORE

AVENUE
SINGAPORE

KOMA

LAVO
SINGAPORE

MARINA BAY Sands
SINGAPORE

CONTENTS

MARQUEE	03
AVENUE	17
KOMA	22
LAVO	26

MARQUEE[®]
NIGHTCLUB
SINGAPORE

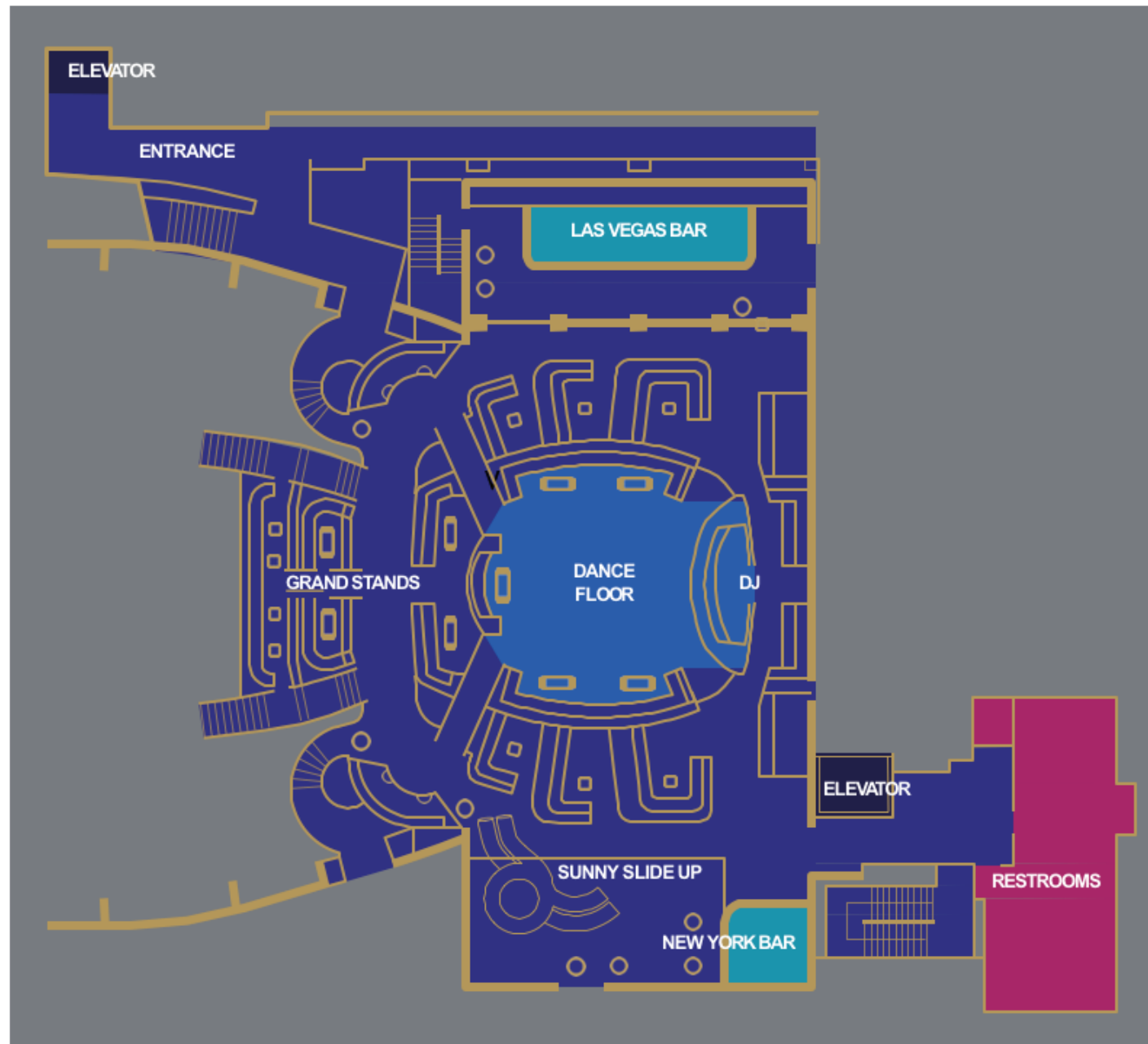
NOCTURNAL CARNIVAL

Step into the fantastic world of Marquee, a vast playground where you are the owner of your adventure. Features and performers come to life throughout the night, and each night is different from the one before. Colorful scenes and flashing lights delight the senses, and every step off the beaten path is a unique world unto itself, waiting to be discovered.

Total Square Meters: 2,319 Sqm

Overall Capacity: 1,883 People

Overall Seated Capacity: 244 People



MARQUEE DANCE FLOOR (B2M)

SPECIFICATIONS

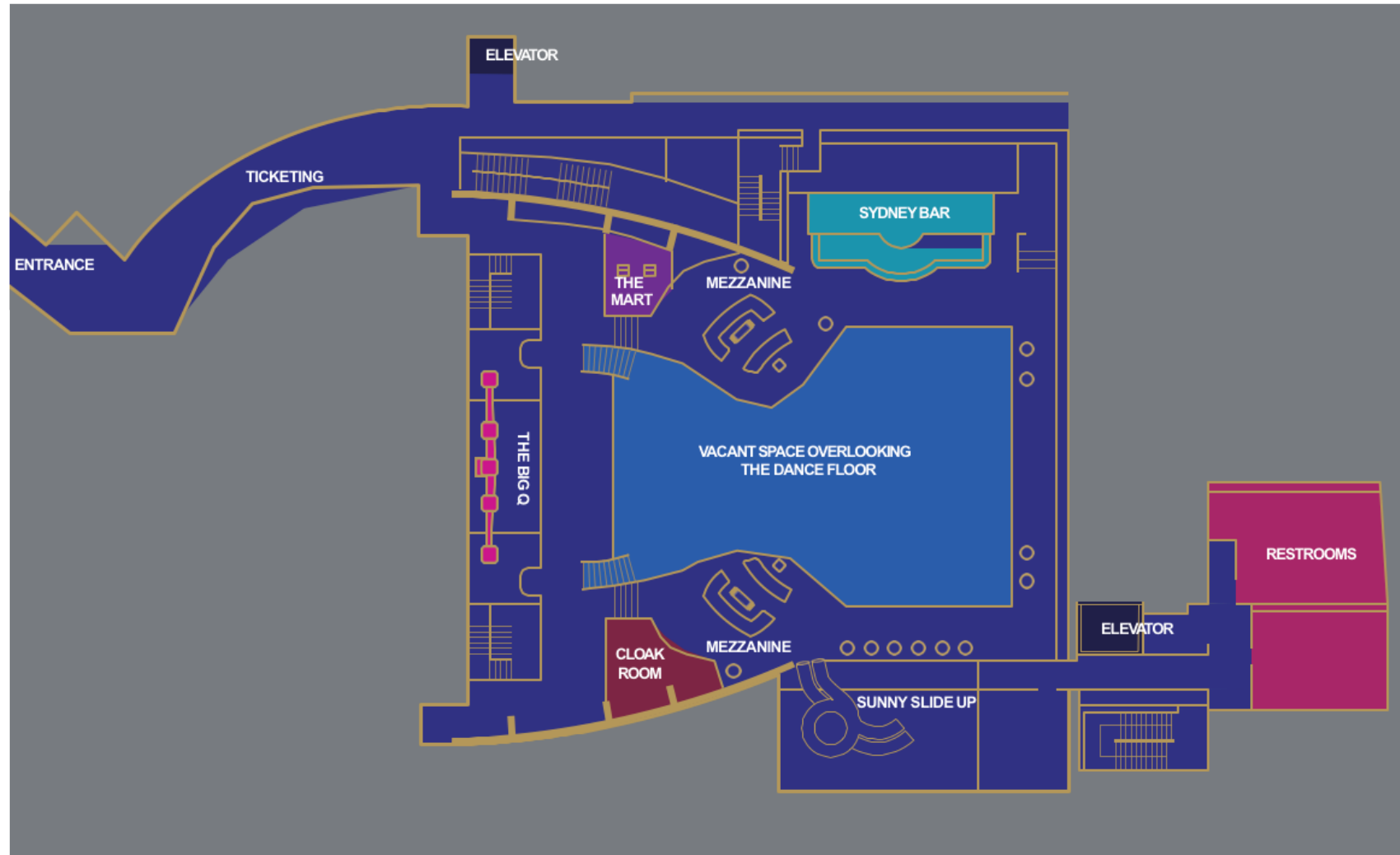
- Overall Square Meters: 891 Sqm
- Seated Capacity: 213 People
- Ceiling Height: 30m

DETAILS

Luxurious seating surrounds the center ring, the ideal spot for viewing all the attractions. Dancers are immersed under a canopy of moving lights that highlight the featured DJ back wall. Tucked away to the sides are two lavishly decorated bars as well as the base of the three-storey 'Sunny Slide Up'.

HIGHLIGHTS

- 383 sqm dance floor
- 40 sqm DJ booth with a digital 20m LED backdrop
- Two full-service bars featuring premium mixology
- VIP Lounge seating with a central grandstand
- Four disco balls ranging from 4m to 7m in diameter, undulating above dance floor
- 20 top-of-the-line laser lights for laser show
- Two mobile photo/GIF booths
- Attachable live band stage which connects to DJ booth



MARQUEE MEZZANINE (B1)

SPECIFICATIONS

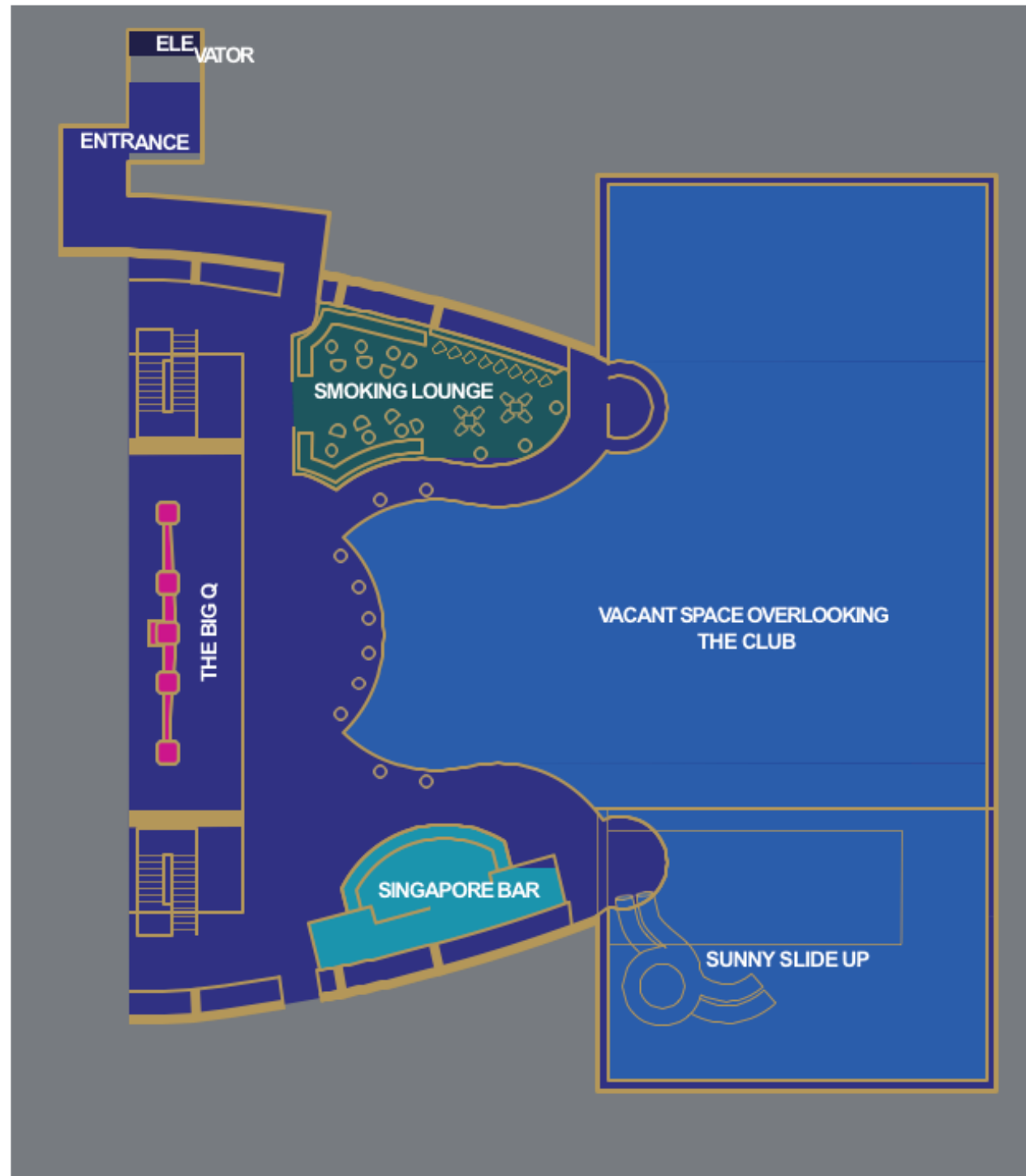
- Overall Square Meters: 1,162 Sqm
- Overall Seated Capacity: 31 People

DETAILS

Entering through the Hall of Mirrors, patrons are immediately transported into a whimsical and mysterious world. Various worlds within are activated by integrated technology urging viewers to explore this multi-level nightclub. Most notably, the full scale ferris wheel that allows patrons to experience a trance-like journey around the club.

HIGHLIGHTS

- 14m tall 'The Big Q' Ferris Wheel with eight gondolas, each equipped with a photo/GIF booth
- Marquee retail store
- VIP balconies overlooking the dance floor
- 90+ meters of LED Panels that wrap the mezzanine
- 7m 'Sunny Slide Up' with two side-by-side tubes measuring 10m in length, lined with LED lights inside and outside of each slide



MARQUEE BALCONY (B1M)

SPECIFICATIONS

- Overall Square Meters: 265 Sqm
- Smoking Lounge Capacity: 40 People

DETAILS

Elevated high above the dance floor, the twilight smoking lounge has a laid-back atmosphere where one can still be part of the energy while adorned in moonlight and carnival lights. Patrons can venture back down to the dance floor by either taking a journey around 'The Big Q' ferris wheel or racing down 'Sunny Slide Up'.

HIGHLIGHTS

- Entrance to 7m 'Sunny Slide Up' and 14m 'The Big Q' Ferris Wheel
- One full-service bar featuring premium mixology
- Fully enclosed smoking lounge
- Video Jockey booth extended out over the dance floor



MARQUEE ENTRANCE



FULL OVERVIEW



DANCE FLOOR



SUNNY SLIDE UP



BANQUETTE SEATING

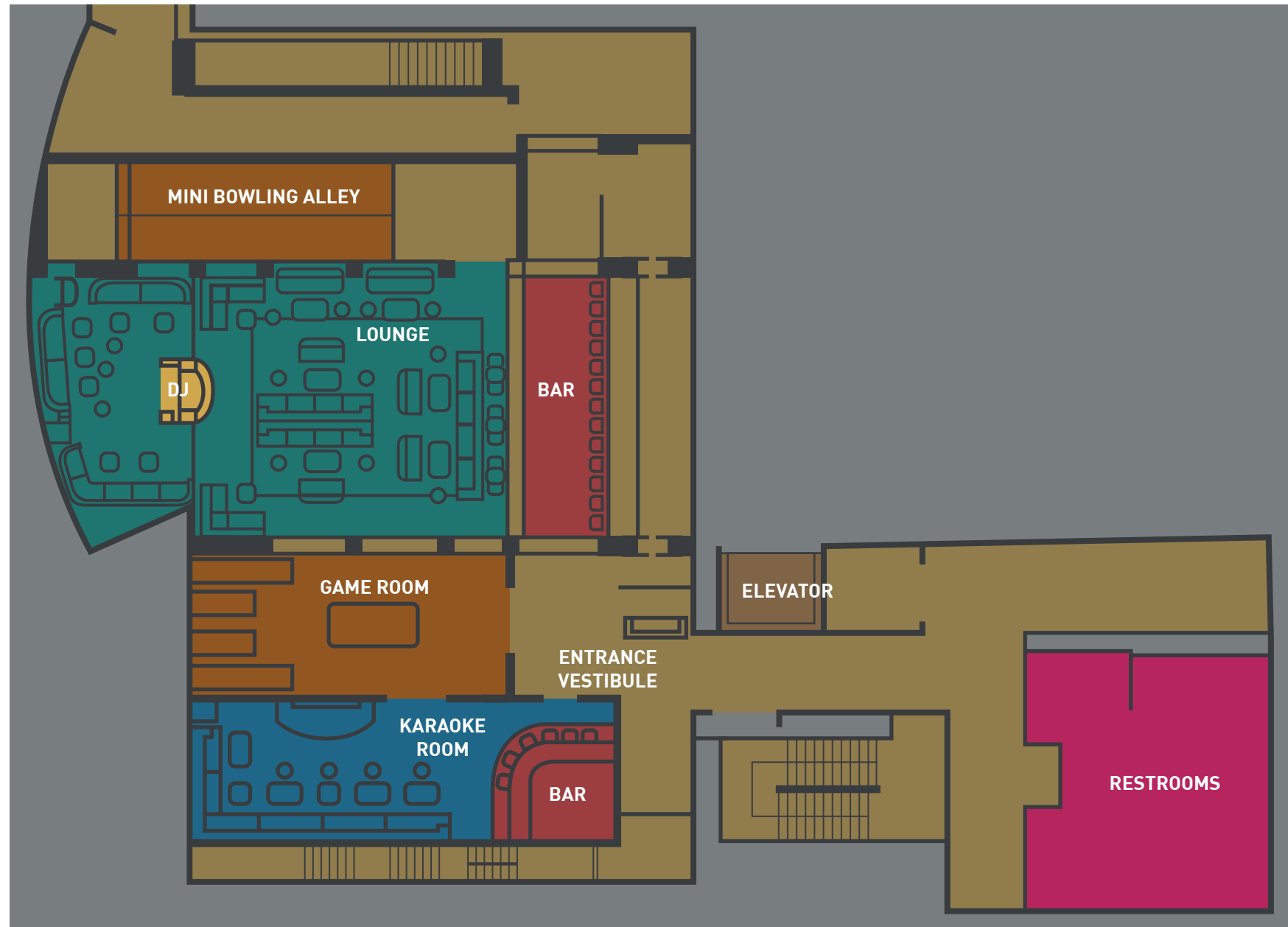


SINGAPORE BAR

AVENUE

SINGAPORE

Avenue is an upscale lounge mashed up with the fun of various games. It is the hidden gem of the TAO Group's newest entertainment complex at the Marina Bay Sands resort - located at the lower level, just below Marquee. Guests can partake in sophisticated cocktail culture in one of the three areas of the venue.



LOUNGE CONCEPT (B3)

SPECIFICATIONS

- Overall Square Meters: 372 Sqm
- Overall Capacity: 234 People
- Overall Seated Capacity: 124 People
- Lounge: 84 People
- Bar: 9 People
- Karaoke: 31 People

DETAILS

A hidden treasure within, this upscale lounge is layered with a variety of games and experiences. The lounge is detailed in wood paneling with gold accents that become increasingly more abundant into the space leading to a highly enriched gold karaoke room at the end. The space smoothly transitions from casual lounge by day to high energy nightclub by night.

HIGHLIGHTS

- Mini bowling alley with two lanes
- Central DJ booth surrounded by lounge seating
- Two full-service bars featuring premium mixology
- Game room featuring a pool table, two skee-ball and two pinball machines
- Private Karaoke Room with whiskey display
- 10 LED TV screens



PRIVATE KARAOKE ROOM



GAME ROOM



MAIN LOUNGE



MAIN LOUNGE



BOWLING ALLEY



BAR

KOMA



Koma presents new-age dishes while paying homage to Japanese cuisine. Inspired by izakaya style pubs, the juxtaposition between innovation and tradition sheds light on contemporary dining. Touting techniques such as yakitori, teppanyaki grill, tempura and sushi/omakase, Koma is sure to be a dynamic culinary experience.

RESTAURANT CONCEPT DINING ROOM & LOUNGE

SPECIFICATIONS

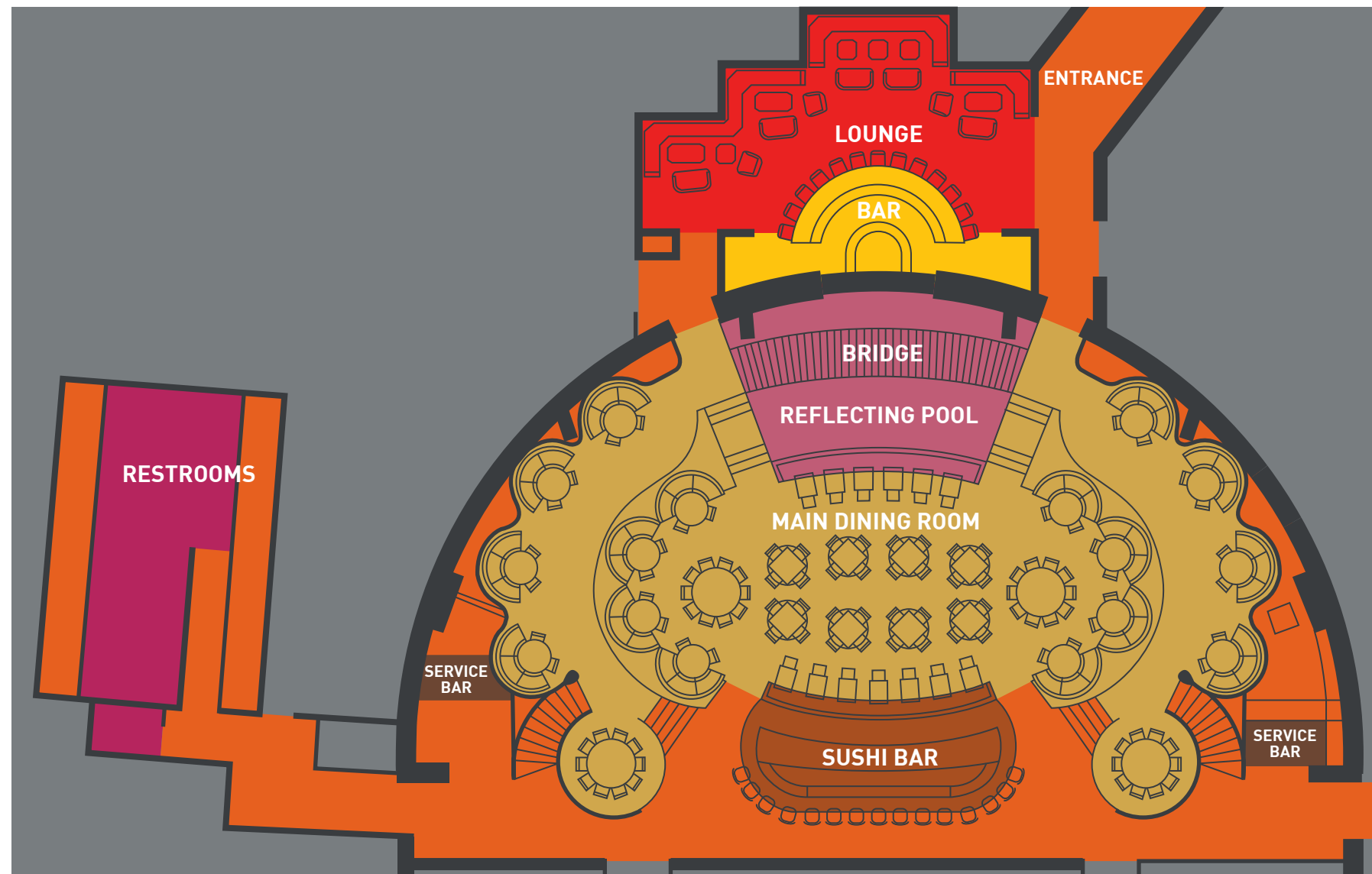
- Overall Square Meters: 1,180 Sqm
- Overall Capacity: 310 People
- Overall Seated Capacity: 230 People
- Lounge: 42 People
- Private Dining Room: 26 People

DETAILS

Located near the entrance of Marquee Nightclub, Koma invites guests to experience a contemporary take on traditional Japanese cuisine. The restaurant, which also includes an intimate lounge, is accentuated in hues of orange and blue. The dramatic backdrop of the venue will seamlessly transition guests from a stunning dining experience to an electrifying night out.

HIGHLIGHTS

- 20m tunnel entrance lined with glossy orange arches
- Sunken dining area with 8m high ceilings
- Japanese bridge in main dining room that sits over a shallow pond
- 2.5m-tall bell suspended over Japanese bridge
- Walls around the dining room that depict mountain topography
- Intimate lounge featuring illuminated floating glass owls





MAIN DINING ROOM



LOUNGE



PRIVATE DINING ROOM

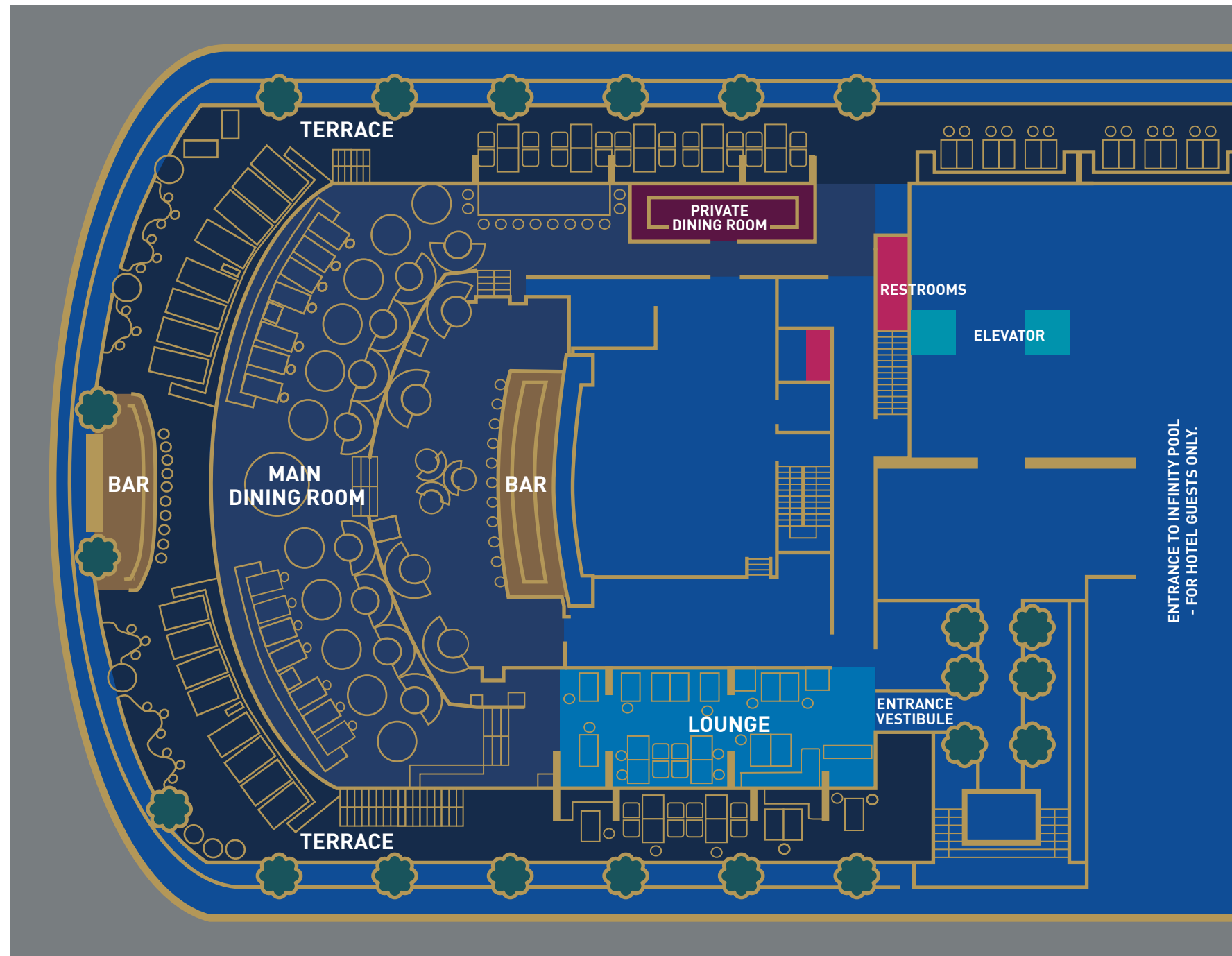


SUSHI BAR

LAVO[®]

• SINGAPORE •

Set against Singapore's spectacular skyline at 57-storeys above ground with 180 degree views of the city, LAVO is a sleek and contemporary Italian American restaurant that flaunts a luxurious lounge complete with a fully-equipped DJ booth. As the music gets pumping, rock the night away with handcrafted cocktails at the sprawling outdoor bar and terrace.



LAVO SINGAPORE

SPECIFICATIONS

- Overall Square Footage: 730 Sqm
- Overall Capacity: 397 People
- Overall Seated Capacity: 253 People
- Outdoor: 144 People

DETAILS

Offering stunning views of the city. This contemporary Italian-American restaurant transforms into a high-energy experience at dusk. Tuck into sharing portions of LAVO's signature dishes such as the Chicken Parmigiano and the famous LAVO Meatball. Be sure to leave space for our 20 Layer Chocolate Cake. Sip handcrafted cocktails and dance to live DJ sets at the outdoor bar and terrace.

HIGHLIGHTS

- 57th storey sprawling outdoor patio and bar
- 34 outdoor tables with stunning city/bay views
- Multi-level dining area
- DJ booth in main dining room to elevate the energy



ENTRANCE



BAR



STAIRS TO MAIN DINING ROOM



MAIN DINING ROOM



TERRACE



TERRACE